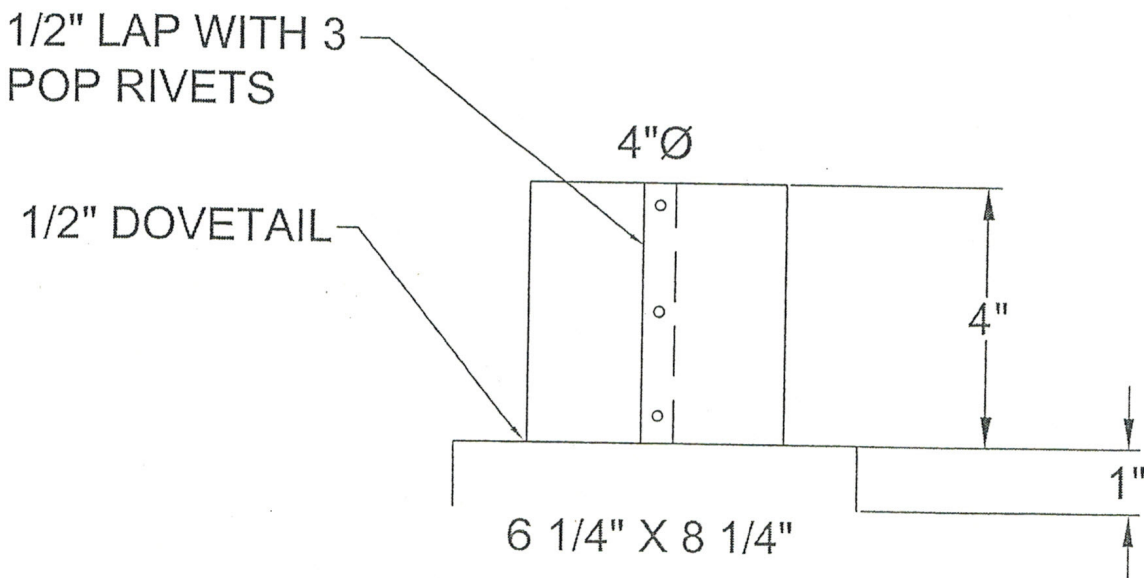


PLAN VIEW OF END CAP WITH ROUND TAP



SIDE VIEW OF END CAP WITH ROUND TAP