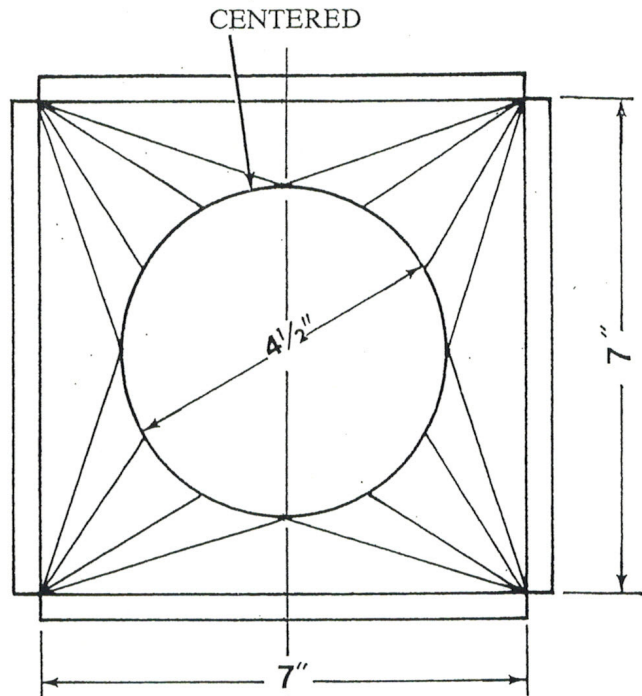


- Lay out the pattern for the square to round shown in Fig. 9. Use only a quarter plan, as shown in Fig. 5. Find the true lengths by the method shown in Fig. 5. Lay out the pattern by the method shown in Fig. 6. Have your instructor check your layout. Assemble the fitting according to the directions on the drawing.



MA

- In Fig. 7, what should the top arc on the pattern measure to be accurate (to the nearest 1/16")? _____"
- A duct measuring 10" x 12" must be changed to a round pipe of the equivalent area. What should be the diameter of the round end of the square-to-round (to the nearest 1/8")? _____ dia.

Procedure:

- Calculate the square inches in the duct.
- Calculate the diameter of a circle whose area equals that of the duct (MA REFERENCE SHEET) - Use $R = \sqrt{\frac{A}{\pi}}$

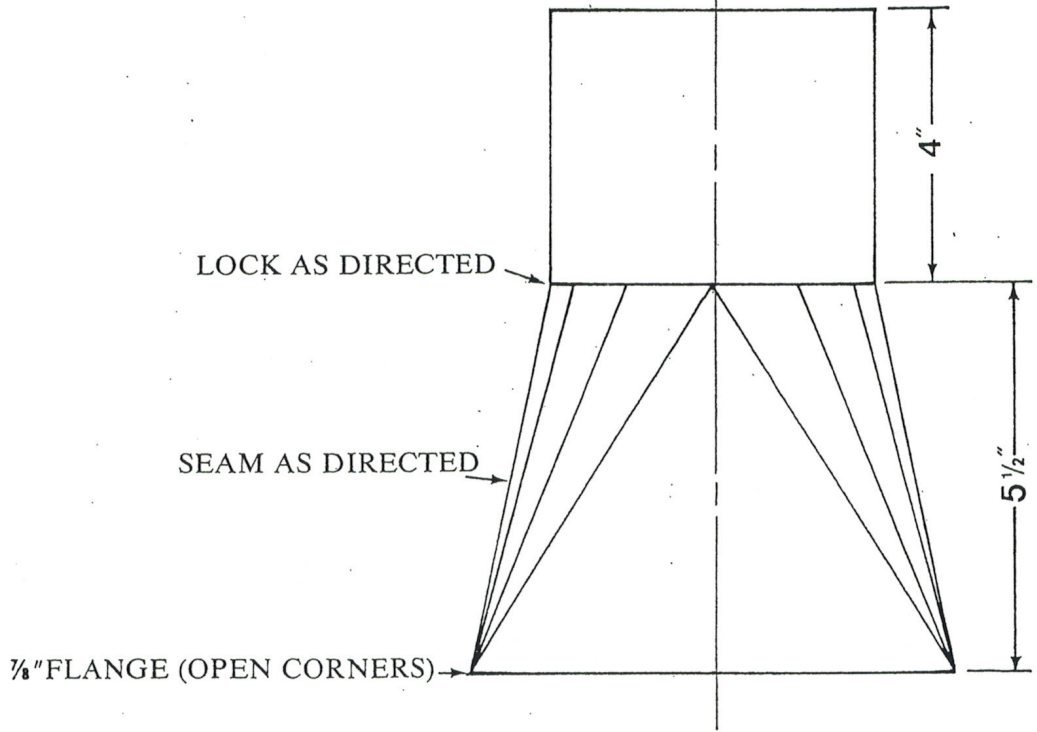


Fig. 9: Practice Problem