

NUTCRACKER BASE PART 1

INSTRUCTOR: T. CONLEY

REED ACADEMY OF CAREER
AND TECHNICAL EDUCATION

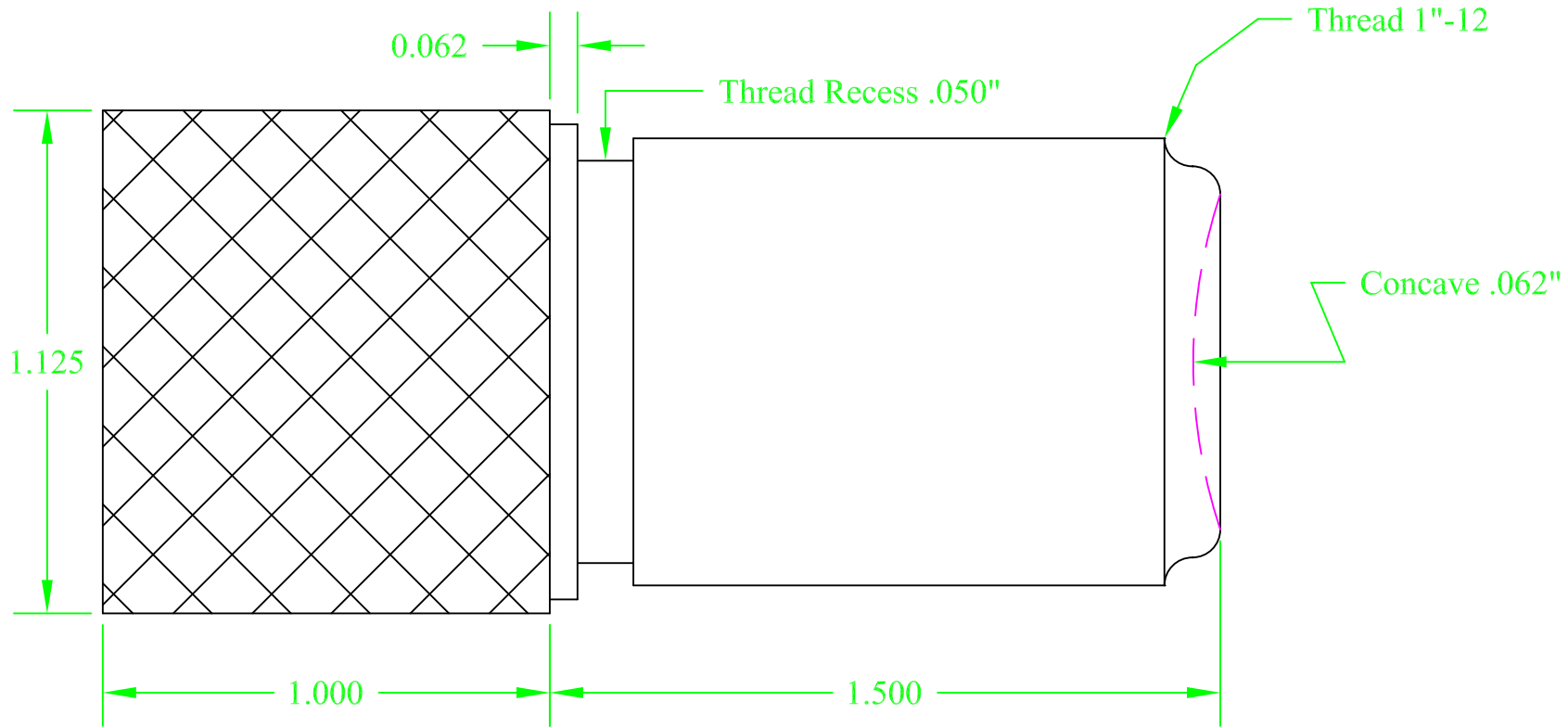
METALWORKING 3-4	SCALE: 1:1	DRAWING #: 1
------------------	---------------	-----------------

PROJECT
NAME: NUTCRACKER

TOLERANCE:
+/- .002"

MATERIAL:
AS INSTRUCTED





NUTCRACKER BOLT PART 2

INSTRUCTOR: T. CONLEY

REED ACADEMY OF CAREER
AND TECHNICAL EDUCATION

METALWORKING 3-4	SCALE: 1:1	DRAWING #: 2
------------------	---------------	-----------------

PROJECT
NAME: NUTCRACKER

TOLERANCE:
+/- .002"

MATERIAL:
AS INSTRUCTED

